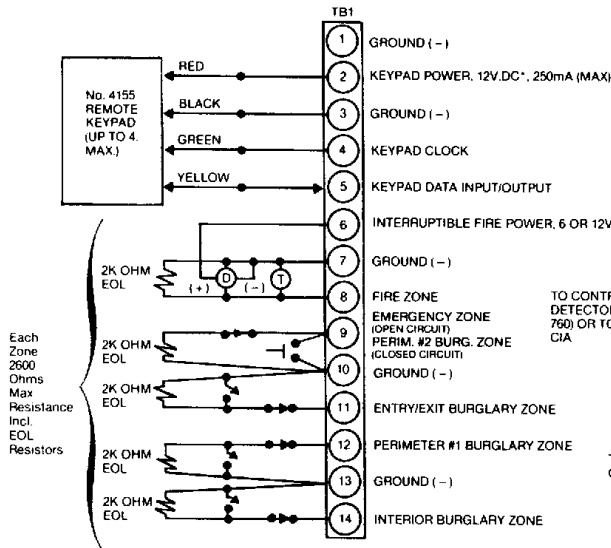
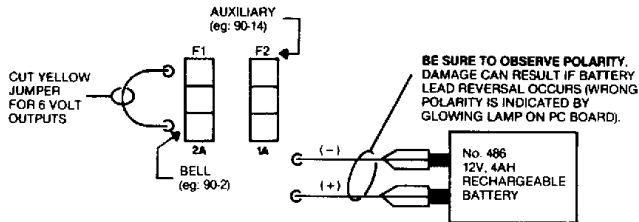


FOR COMPLETE INFORMATION, SEE TEXT AND OPERATOR'S MANUAL P9987. ALL INTERCONNECTIONS MUST BE MADE USING UL LISTED LIMITED ENERGY CABLE. FIRE PROTECTION INSTALLATION MUST FOLLOW REQUIREMENTS OF NFPA STANDARD NO. 74 (NATIONAL FIRE PROTECTION ASSOCIATION, BATTERY MARCH PARK, QUINCY, MA 02269).

COMPLIES WITH FCC RULES PART 68, FCC REGISTRATION No. A96919-13665-AL-R RINGER EQUIVALENCE: 0.08

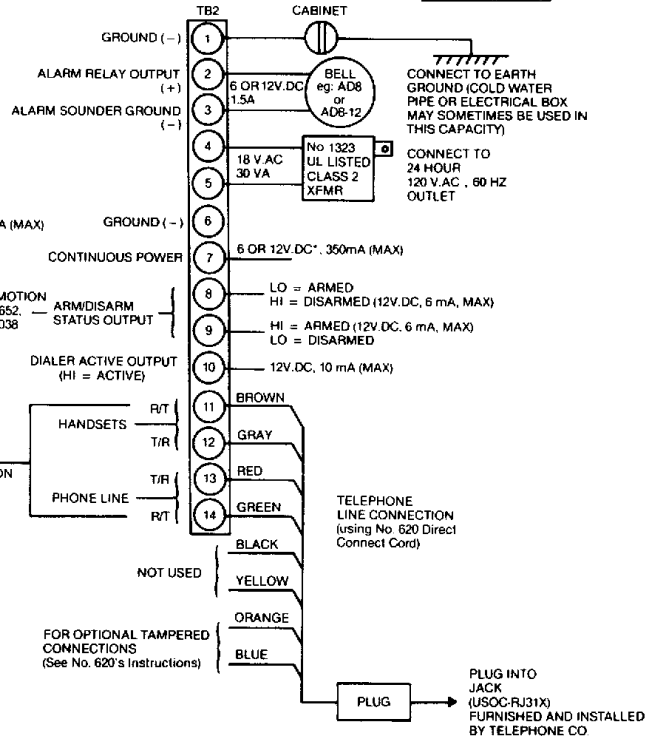
INDEX MARK AT UPPER LEFT

P  
R  
O  
M



TO CONTROLLABLE MOTION DETECTORS (eg: 650, 652, 760) OR TO No. 1036/1038 CIA

TELCO CONNECTION



\*NOTES:

- The maximum continuous current that can be drawn from terminals TB1-2, TB1-6, TB2-7 combined is 500 mA, independent of the individual ratings of each of the terminals
- There is one common selection of 6 or 12 volt output for terminals TB1-6, TB2-2, TB2-7. The YELLOW Jumper remains intact for 12 volt operation and is cut for 6 volt operation.

Diagram 5: SUMMARY OF CONNECTIONS

4150 Version 1